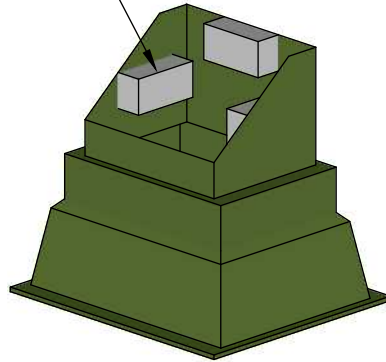
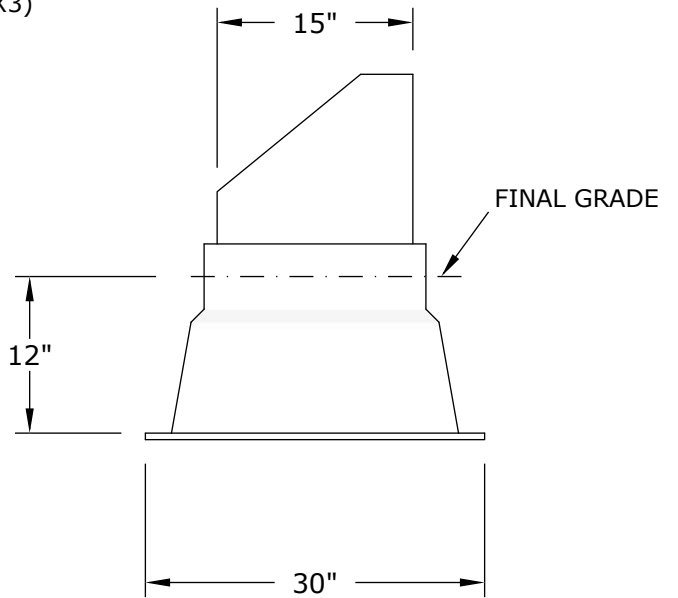
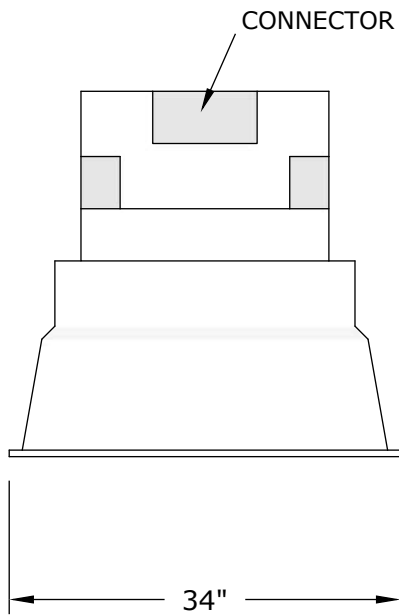


UK5 SECONDARY PEDESTAL

CONNECTOR BLOCKS (X3)



UK5 SECONDARY PEDESTAL (LID REMOVED)



- DIAGRAM NOT TO SCALE
- CONTACT NOLIN RECC LINE DESIGN DEPARTMENT BEFORE STARTING ANY WORK
- CALL 811 BEFORE DIGGING



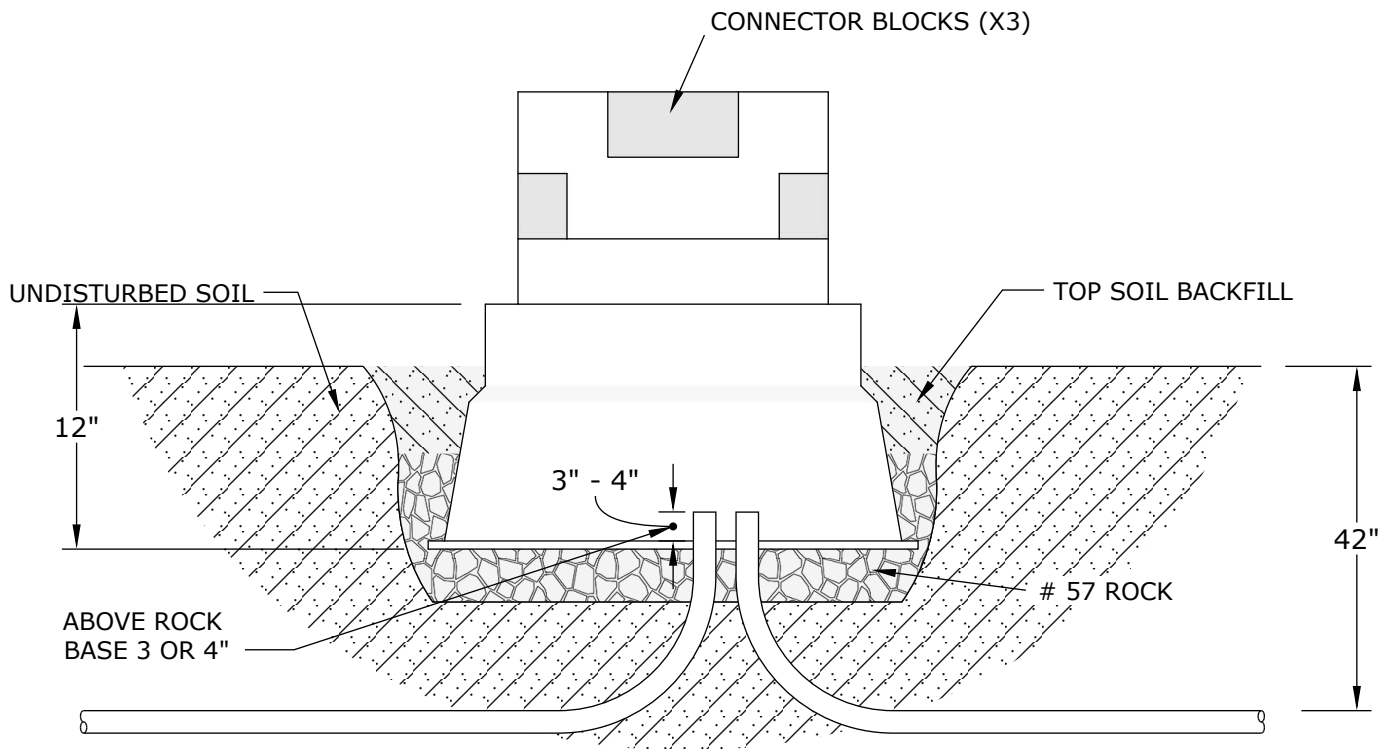
MAIN OFFICE: 270-765-6153

DRAWN BY:  
MATTHEW  
VULETA  
APPROVED BY:  
NOLIN RECC  
LINE DESIGN

SECONDARY PEDESTAL  
INSTALLATION (UK5)

LAST REVISION

10/06/2020



PEDESTAL MUST BE INSTALLED LEVEL WITH  
RESPECT TO BOTH THE LENGTH AND WIDTH.

- DIAGRAM NOT TO SCALE
- CONTACT NOLIN RECC LINE DESIGN DEPARTMENT BEFORE STARTING ANY WORK
- CALL 811 BEFORE DIGGING

**NOTE**

Refer to Nolin's trench profile diagram for conduit size, ditch depth, and other necessary information.

PAGE 2 OF 2



MAIN OFFICE: 270-765-6153

DRAWN BY:  
MATTHEW  
VULETA

APPROVED BY:  
NOLIN RECC  
LINE DESIGN

SECONDARY PEDESTAL  
INSTALLATION (UK5)

LAST REVISION

10/20/2020