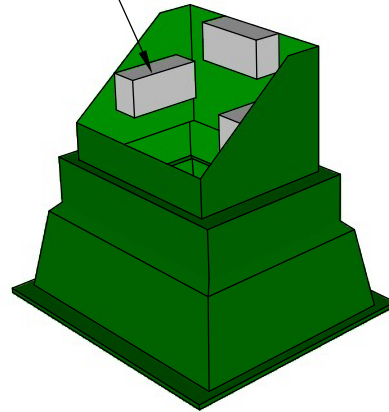
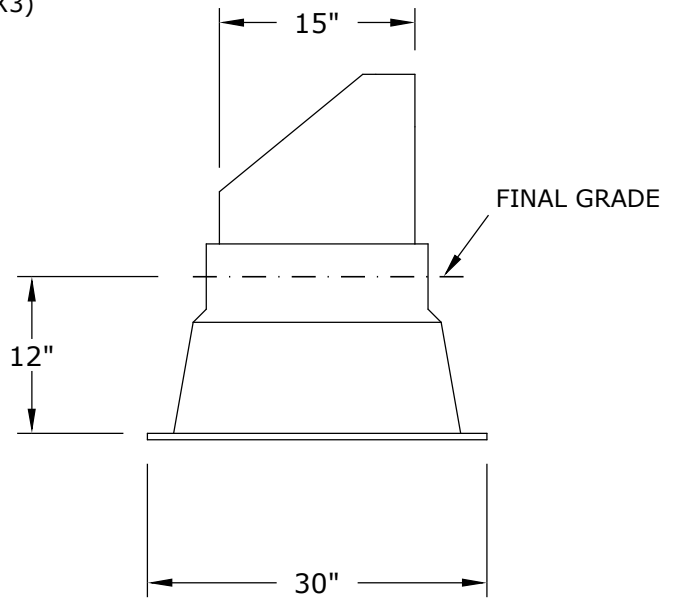
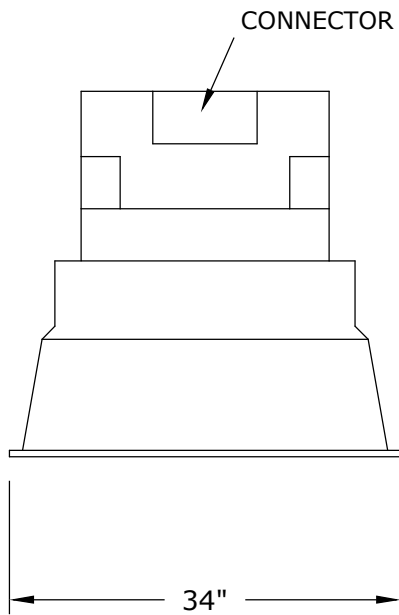


UK5 SECONDARY PEDESTAL

CONNECTOR BLOCKS (X3)



UK5 SECONDARY PEDESTAL (LID REMOVED)



- DIAGRAM NOT TO SCALE
- CONTACT NOLIN RECC LINE DESIGN DEPARTMENT BEFORE STARTING ANY WORK
- CALL 811 BEFORE DIGGING



A Touchstone Energy® Cooperative

MAIN OFFICE: 270-765-6153

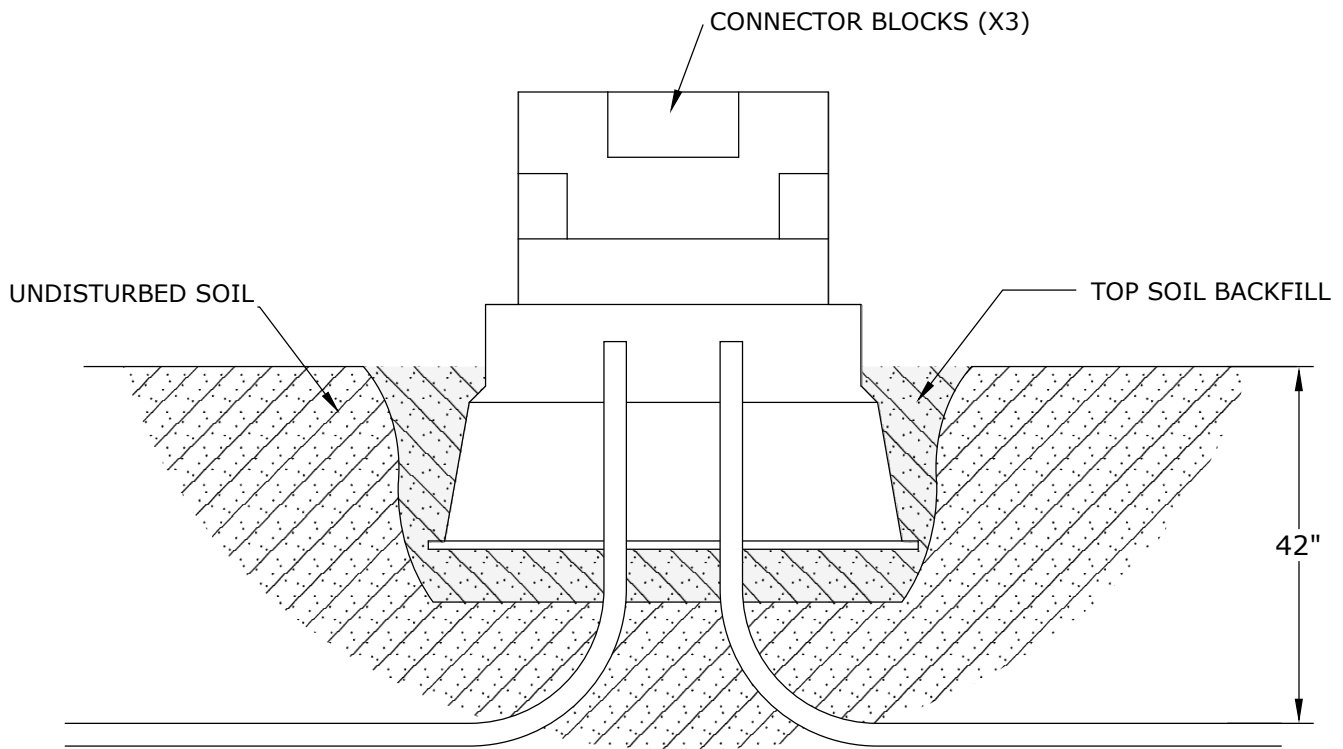
DRAWN BY:  
LANDER RYAN

APPROVED BY:  
GREG LEE

SECONDARY PEDESTAL  
INSTALLATION (UK5)

LAST REVISION


1/21/2018



PEDESTAL MUST BE INSTALLED LEVEL WITH RESPECT TO BOTH THE LENGTH AND WIDTH.

- DIAGRAM NOT TO SCALE
- CONTACT NOLIN RECC LINE DESIGN DEPARTMENT BEFORE STARTING ANY WORK
- CALL 811 BEFORE DIGGING



A Touchstone Energy® Cooperative 

MAIN OFFICE: 270-765-6153

DRAWN BY:  
LANDER RYAN

APPROVED BY:  
GREG LEE

**SECONDARY PEDESTAL  
INSTALLATION (UK5)**

LAST REVISION

1/21/2018