

- DIAGRAM NOT TO SCALE
- CONTACT NOLIN RECC LINE DESIGN DEPARTMENT BEFORE STARTING ANY WORK
- CALL 811 BEFORE DIGGING

FINAL GRADE SHOULD BE 1" BELOW THE LID ATTACHMENT POINT



A Touchstone Energy® Cooperative

MAIN OFFICE: 270-765-6153

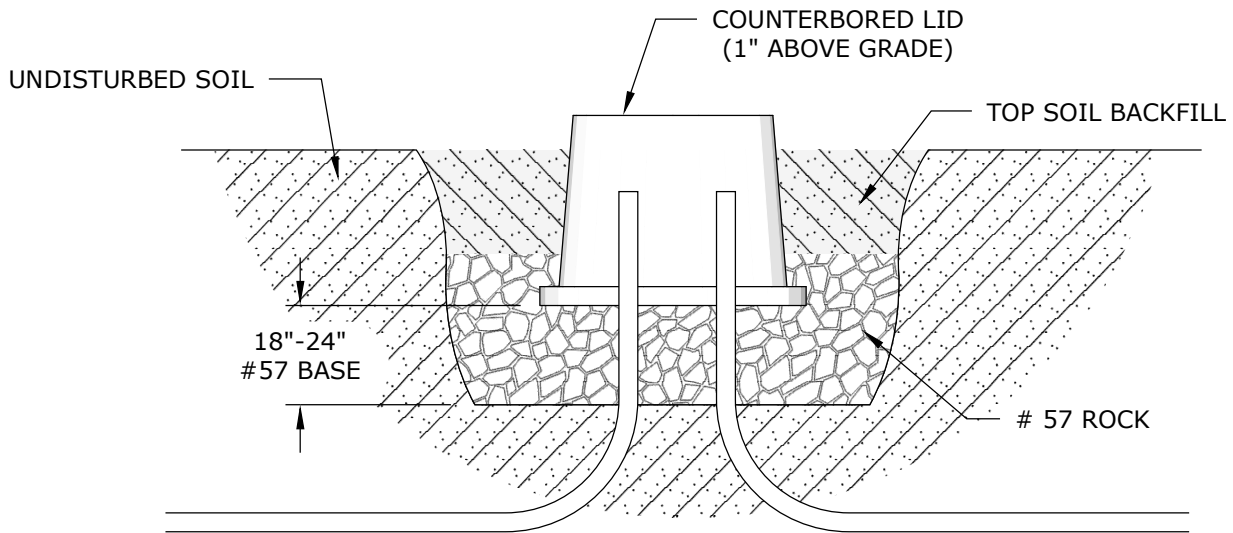
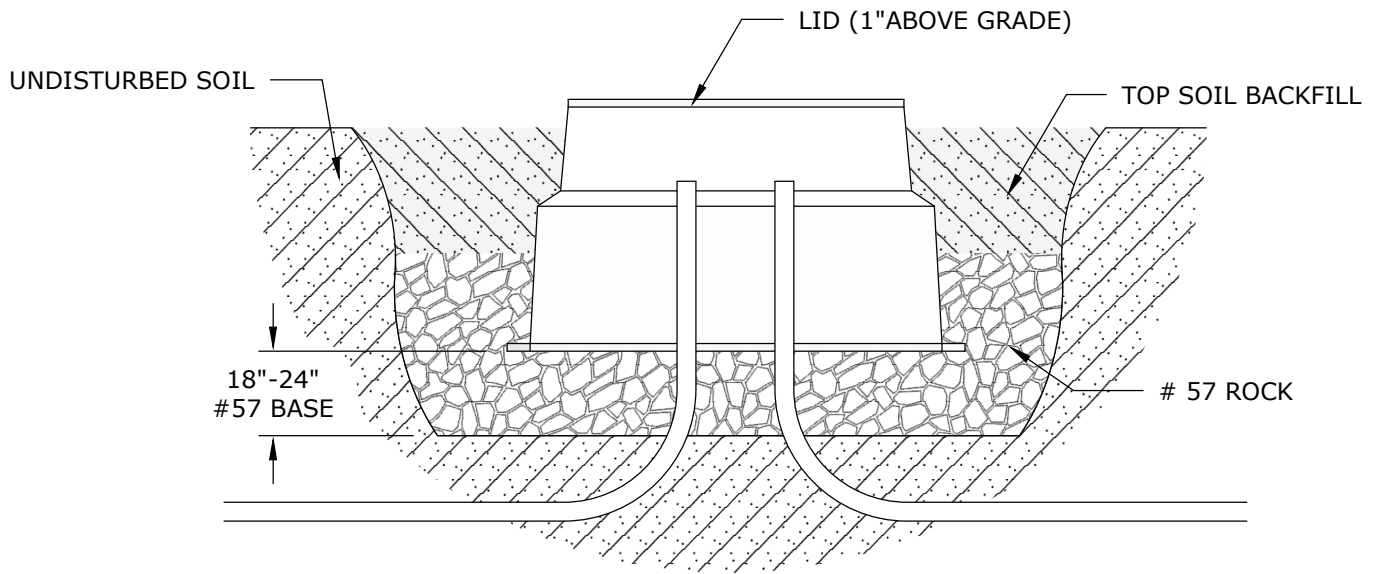
DRAWN BY:
LANDER RYAN

APPROVED BY:
GREG LEE

FLUSH MOUNTED
JUNCTION BOX
INSTALLATION

LAST REVISION

5/30/2018



- DIAGRAM NOT TO SCALE
- CONTACT NOLIN RECC LINE DESIGN DEPARTMENT BEFORE STARTING ANY WORK
- CALL 811 BEFORE DIGGING



A Touchstone Energy® Cooperative

MAIN OFFICE: 270-765-6153

DRAWN BY:
LANDER RYAN

APPROVED BY:
GREG LEE

**FLUSH MOUNTED
JUNCTION BOX
INSTALLATION**

LAST REVISION

5/30/2018