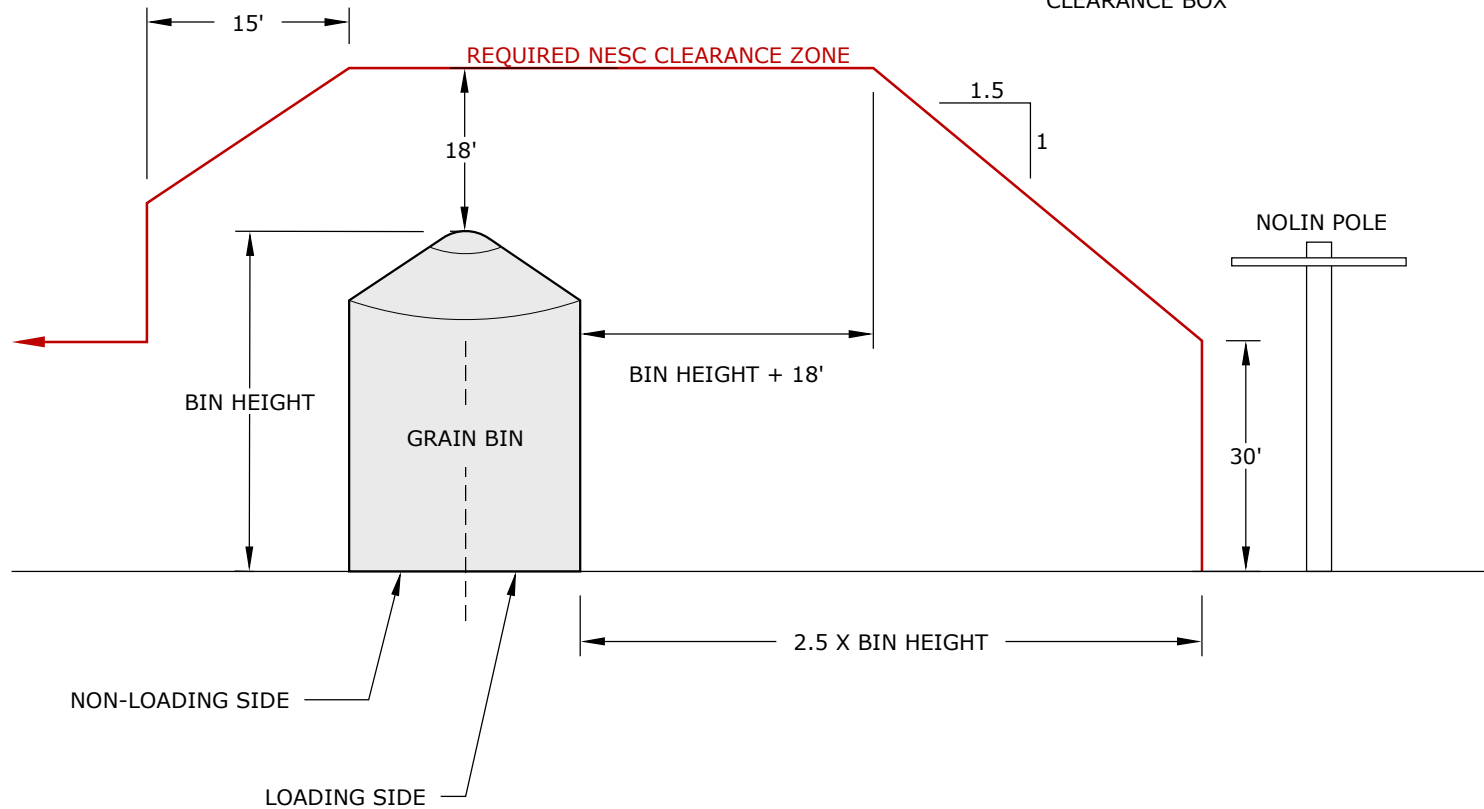


PER NESC RULE 234F2; 1.5' OF ADDITIONAL CLEARANCE IS REQUIRED FOR EACH 1' FROM THE NEUTRAL LINE TO THE TOP OF THE CLEARANCE BOX



- DIAGRAM NOT TO SCALE
- CONTACT NOLIN RECC LINE DESIGN DEPARTMENT BEFORE STARTING ANY WORK
- CALL 811 BEFORE DIGGING



A Touchstone Energy® Cooperative

MAIN OFFICE: 270-765-6153

DRAWN BY:
LANDER RYAN

APPROVED BY:
GREG LEE

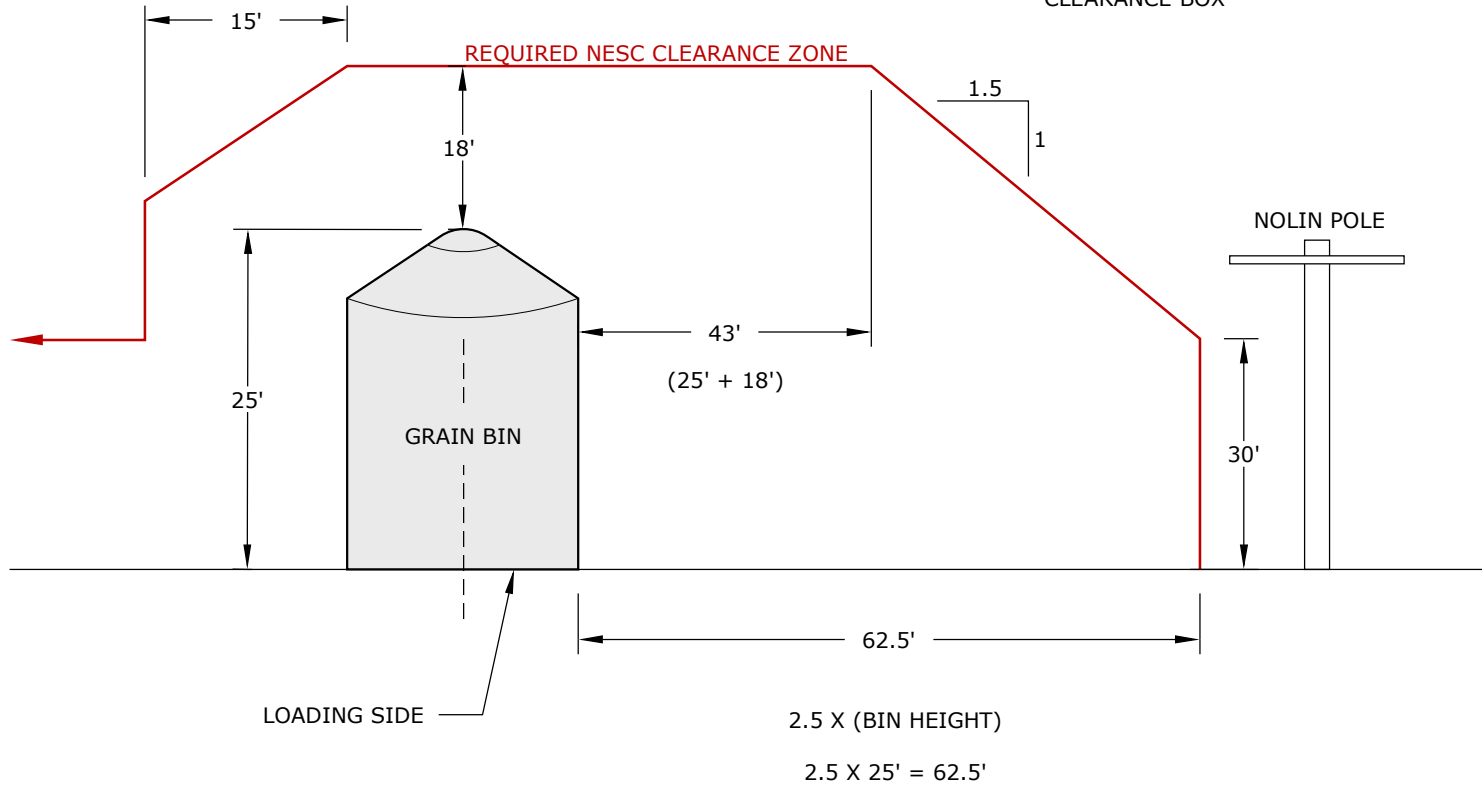
GRAIN BIN CLEARANCE REQUIREMENTS

LAST REVISION

5/30/2018

EXAMPLE DIMENSIONS

PER NESC RULE 234F2; 1.5' OF ADDITIONAL CLEARANCE IS REQUIRED FOR EACH 1' FROM THE NEUTRAL LINE TO THE TOP OF THE CLEARANCE BOX



- DIAGRAM NOT TO SCALE
- CONTACT NOLIN RECC LINE DESIGN DEPARTMENT BEFORE STARTING ANY WORK
- CALL 811 BEFORE DIGGING

PAGE 2 OF 2



RURAL ELECTRIC COOPERATIVE CORPORATION



MAIN OFFICE: 270-765-6153

DRAWN BY:
LANDER RYAN

APPROVED BY:
GREG LEE

GRAIN BIN CLEARANCE
REQUIREMENTS

LAST REVISION

5/30/2018